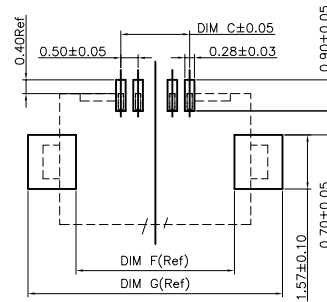
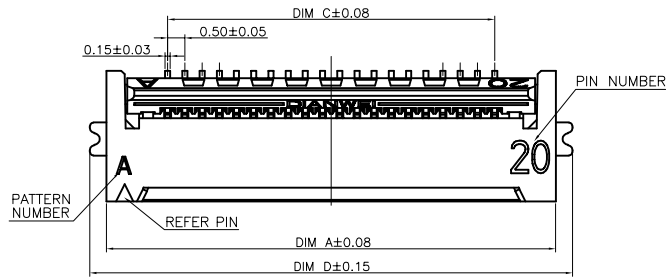
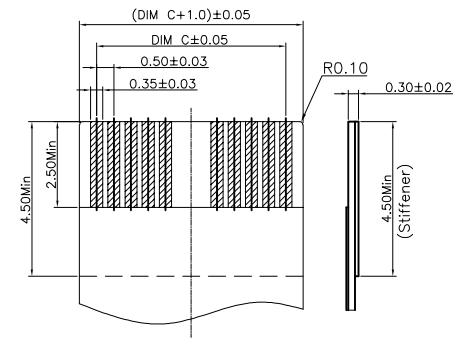


DRAWING TYPE CUSTOMER DRAWING

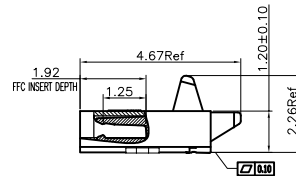
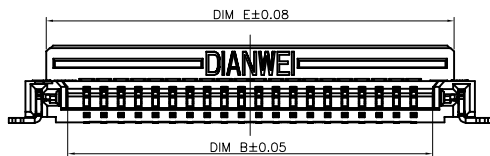
MARK	DATE	DESCRIPTION	DESIGN
D	2016.04.16	ADD PERFORMANCE	CHEN
E	2017.06.12	Change Plating Note	CHEN
F	2019.01.16	UPDATE THE DRAWING	CHEN



RECOMMENDED PCB LAYOUT



RECOMMENDED FFC/FPC



1. FPC NOT MATING CONDITION BANNED CLOSURE
2. PART NO. LEGEND:

8.21A0.\*\*\*200  
① ② ③ ④ ⑤

- ① SERIES NAME: 8.21A0= 0.5MM FFC/FPC DUAL CONTACT SIDE CONNECTOR (H=1.2mm)
- ② CONTACT PIN NUMBER: \*\*\*=CONTACT PIN NUMBER
- ③ CONTACT AREA PLATING SPEC: GOLD PLATING: 2=1~3u", 3=5u", 4=10u", 5=15u"  
SOLDER AREA PLATING SPEC: GOLD PLATING: 2=1~3u", 3=5u", 4=10u", 5=15u"

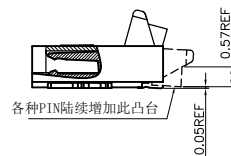
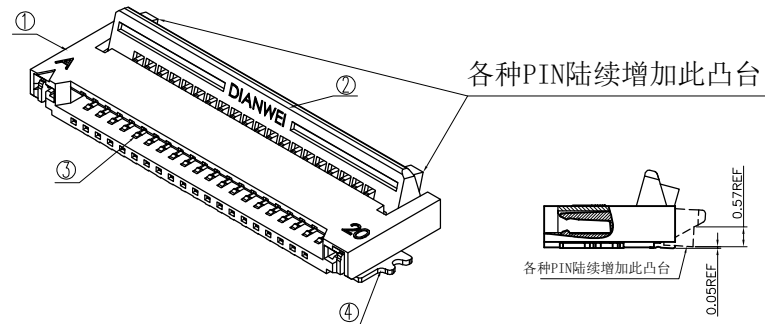
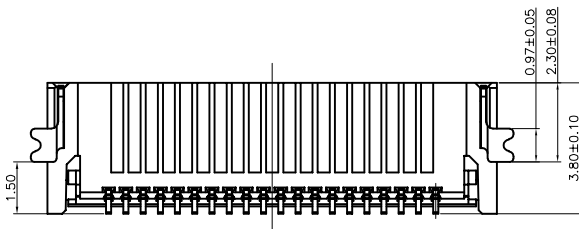
- ④ UNSPECIFIED: 0=NONSENSE
- ⑤ UNSPECIFIED: 0=NONSENSE

3. PERFORMANCE:

- 3.1: CURRENT RATING: 0.5A/PIN.
- 3.2: VOLTAGE RATING: 50V (AC/DC).
- 3.3: CONTACT RESISTANCE: INITIAL VALUE 30mOHM Max,
- 3.4: INSULATION RESISTANCE: 500MOHM Min.
- 3.5: DIELECTRIC WITHSTANDING VOLTAGE: 250V AC FOR 1MINUTE;
- 3.6: DURABILITY: 20 TIMES Min.

3.7. OPERATING TEMPERATURE: -40C~+85C  
OPERATING HUMIDITY RANGE: 20% TO 85%

Pin No.	P/N	DIM A	DIM B	DIM C	DIM D	DIM E	DIM F	DIM G
4	8.21A0.004200	5.06	2.55	1.50	6.00	3.85	4.10	6.90
5	8.21A0.005200	5.56	3.05	2.00	6.50	4.35	4.60	7.40
6	8.21A0.006200	6.06	3.55	2.50	7.00	4.85	5.10	7.90
7	8.21A0.007200	6.56	4.05	3.00	7.50	5.35	5.60	8.40
8	8.21A0.008200	7.06	4.55	3.50	8.00	5.85	6.10	8.90
10	8.21A0.010200	8.06	5.55	4.50	9.00	6.85	7.10	9.90
12	8.21A0.012200	9.06	6.55	5.50	10.00	7.85	8.10	10.90
14	8.21A0.014200	10.06	7.55	6.50	11.00	8.85	9.10	11.90
15	8.21A0.015200	10.56	8.05	7.00	11.50	9.35	9.60	12.40
16	8.21A0.016200	11.06	8.55	7.50	12.00	9.85	10.10	12.90
18		12.06	9.55	8.50	13.00	10.85	11.10	13.90
20	8.21A0.020200	13.06	10.55	9.50	14.00	11.85	12.10	14.90
22		14.06	11.55	10.50	15.00	12.85	13.10	15.90
24	8.21A0.024200	15.06	12.55	11.50	16.00	13.85	14.10	16.90
25		15.56	13.05	12.00	16.50	14.35	14.60	17.40
26		16.06	13.55	12.50	17.00	14.85	15.10	17.90
28	8.21A0.028200	17.06	14.55	13.50	18.00	15.85	16.10	18.90
30	8.21A0.030200	18.06	15.55	14.50	19.00	16.85	17.10	19.90
32	8.21A0.032200	19.06	16.55	15.50	20.00	17.85	18.10	20.90
34	8.21A0.034200	20.06	17.55	16.50	21.00	18.85	19.10	21.90
35	8.21A0.035200	20.56	18.05	17.00	21.50	19.35	19.60	22.40
36	8.21A0.036200	21.06	18.55	17.50	22.00	19.85	20.10	22.90
40	8.21A0.040200	23.06	20.55	19.50	24.00	21.85	22.10	24.90
42		24.06	21.55	20.50	25.00	22.85	23.10	25.90
45	8.21A0.045200	25.56	23.05	22.00	26.50	24.35	24.60	27.40
50	8.21A0.050200	28.06	25.55	24.50	29.00	26.85	27.10	29.90
52	8.21A0.052200	29.06	26.55	25.50	30.00	27.85	28.10	30.90
54		30.06	27.55	26.50	31.00	28.85	29.10	31.90
56	8.21A0.056200	31.06	28.55	27.50	32.00	29.85	30.10	32.90
60	8.21A0.060200	33.06	30.55	29.50	34.00	31.85	32.10	34.90



各种PIN陆续增加此凸台

NOTE: ALL RIGHTS RESERVED, BANNED COPY!

4	STATOR	BRASS		2
3	TERMINAL	PHOSPHOR BRONZE		POSITIONS
2	COVER	THERMOPLASTIC UL94V-0	BLACK	1
1	HOUSING	THERMOPLASTIC UL94V-0	NATURAL	1
NO.	COMPONENTS	MATERIALS	FINISH/COLOR SPECIFICATION	QUANTITY

**DIANWEI**

东莞市钿威电子科技有限公司

DONGGUAN DIANWEI ELECTRONIC TECHNOLOGY CO., LTD

Tel: +86-769-8788 8322 Fax: +86-769-8788 8321 E-mail: sales@dianwei.cn Http://www.dianwei.cn

APPROVED	VERIFIED	DESIGN	DRAWING NO	PART NAME:	0.5mm FFC/FPC DUAL CONTACT SIDE CONNECTOR(H=1.2mm)			
			8.21A0-C	PART NO.	8.21A0.***200			
CHEN			DATE	UNITS	SCALE	PAGE	REV	
			2019.01.16	mm	1:1	1/1	F	

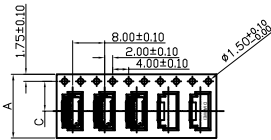
UNLESS OTHERWISE SPECIFIED TOLERANCE			
ANG	TOL	DIM	TOL
.X	±3.0°	.X	±0.20
.XX	±2.0°	.XX	±0.10
.XXX	±1.0°	.XXX	±0.05

DRAWING TYPE

PACKAGE DRAWING

MARK	DATE	DESCRIPTION	DESIGN
D	2016.04.16	ADD PERFORMANCE	CHEN
E	2017.06.12	Change Plating Note	CHEN
F	2019.01.16	UPDATE DWG	CHEN

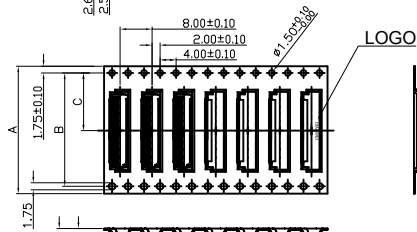
PULL OUT DIRECTION



NOTES:

- MATERIAL:
  - CARRY TAPE:HIPS,T=0.30±0.05mm,CLEAR
  - REEL:HIPS,
  - SHIM:PE,CLEAR.
- PRIMARY PACKING:3000PCS/REEL.
- SECONDARY PACKING:SEE PACKING LIST
- PEELING RESISTANCE: 0.1~1.3N(10~130gf); PEELING ANGLE: 165°~180°; PEELING SPEED: 300mm/minutes.

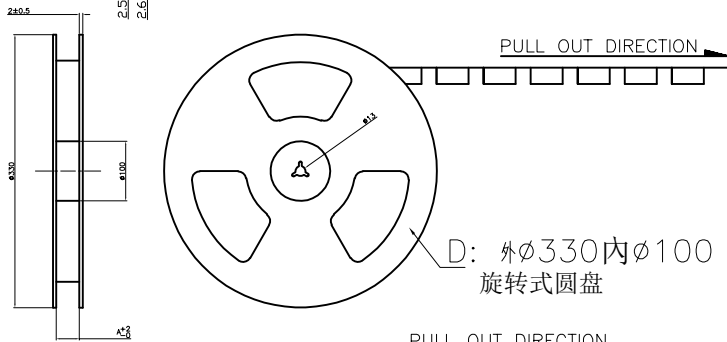
4~24PIN REEL



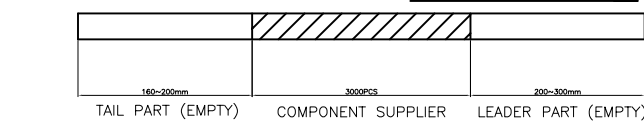
25~60PIN REEL

每盘使用PE带真空包装

PULL OUT DIRECTION

D: 外ø330内ø100  
旋转式圆盘

PULL OUT DIRECTION

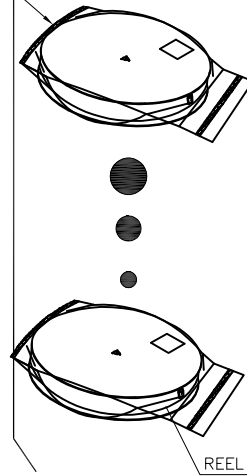


TAIL PART (EMPTY)

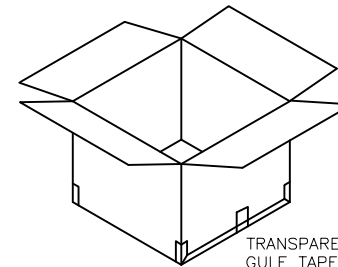
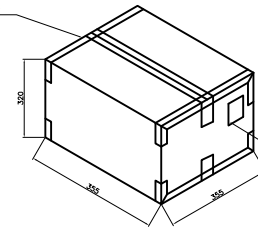
COMPONENT SUPPLIER

LEADER PART (EMPTY)

TOTAL N LAYERS



REEL LABEL

TRANSPARENT  
GULE TAPE

SIDE LABEL

## 6. QTY. LIST:

NO. OF POS.	A	B	C	PCS/REEL
4~8 PIN	16.0	—	7.5	3000
9~24 PIN	24.0	—	11.5	3000
25~34 PIN	32.0	28.4	14.2	3000
35~56 PIN	44.0	40.4	20.2	3000
57~60 PIN	56.0	52.4	26.2	3000

UNLESS OTHERWISE  
SPECIFIED TOLERANCE

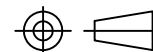
ANG	TOL	DIM	TOL
.X	±3.0°	.X	±0.20
.XX	±2.0°	.XX	±0.10
.XXX	±1.0°	.XXX	±0.05

DIANWEI

东莞市钲威电子科技有限公司

DONGGUAN DIANWEI ELECTRONIC TECHNOLOGY CO., LTD

Tel: +86-769-8788 8322 Fax: +86-769-8788 8321 E-mail: sales@ dianwei.cn Http://www.dianwei.cn



APPROVED

VERIFIED

DRAWING NO

8.21A0-P

PART NAME:

0.5MM FFC/FPC DUAL CONTACT SIDE CONNECTOR (H=1.2mm)  
PACKAGE SPEC

PART NO.

8.21A0.\*\*\*200

DESIGN

CHEN

DATE

2019.01.16

UNITS

mm

SCALE

1:1

PAGE

1/1

REV

F

NOTE: ALL RIGHTS RESERVED,BANNED COPY!

QP-04-33-B