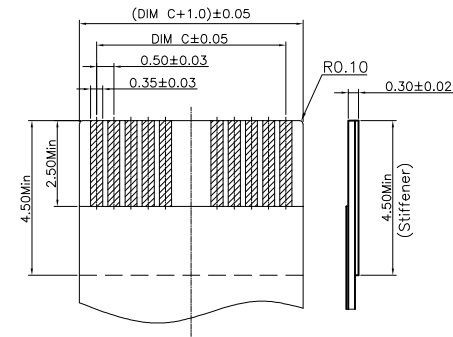
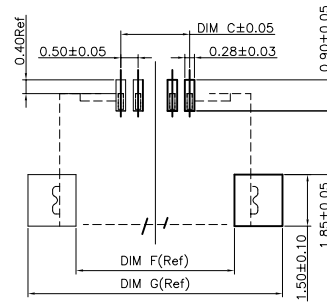
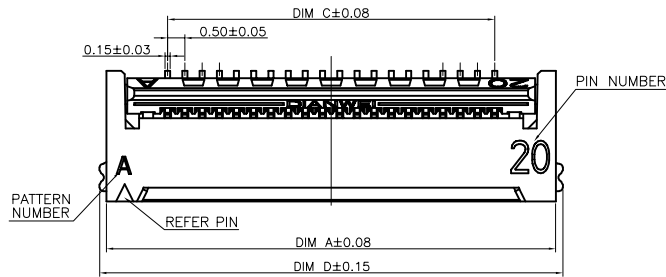


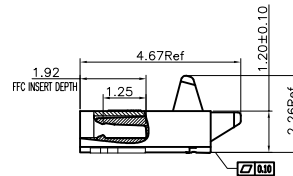
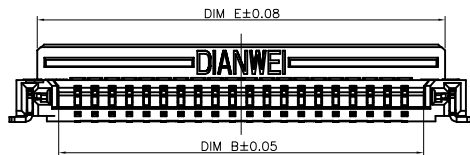
DRAWING TYPE CUSTOMER DRAWING

| MARK | DATE       | DESCRIPTION         | DESIGN |
|------|------------|---------------------|--------|
| D    | 2016.04.16 | ADD PERFORMANCE     | CHEN   |
| E    | 2017.06.12 | Change Plating Note | CHEN   |
| F    | 2019.01.16 | UPDATE THE DRAWING  | CHEN   |



RECOMMENDED PCB LAYOUT

RECOMMENDED FFC/FPC



1. FPC NOT MATING CONDITION BANNED CLOSURE
2. PART NO. LEGEND:

8.18A0.\*\*\* 2 0 0  
① ② ③ ④ ⑤

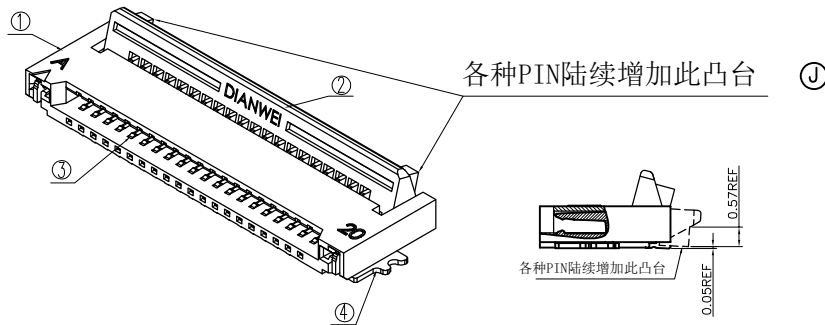
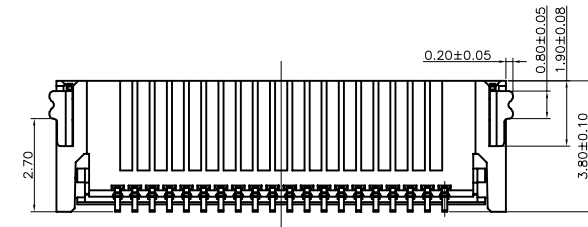
- ① SERIES NAME: 8.18A0= 0.5MM FFC/FPC DUAL CONTACT SIDE CONNECTOR (H=1.2mm)
- ② CONTACT PIN NUMBER: \*\*\*=CONTACT PIN NUMBER
- ③ CONTACT AREA PLATING SPEC: GOLD PLATING: 2=1~3u"; 3=5u"; 4=10u"; 5=15u"  
SOLDER AREA PLATING SPEC: GOLD PLATING: 2=1~3u"; 3=5u"; 4=10u"; 5=15u"
- ④ UNSPECIFIED: 0=NONSENSE
- ⑤ UNSPECIFIED: 0=NONSENSE

3. PERFORMANCE:

- 3.1: CURRENT RATING: 0.5A/PIN.
- 3.2: VOLTAGE RATING: 50V (AC/DC).
- 3.3: CONTACT RESISTANCE: INITIAL VALUE 30mOHM Max,
- 3.4: INSULATION RESISTANCE: 500MOHM Min.
- 3.5: DIELECTRIC WITHSTANDING VOLTAGE: 250V AC FOR 1MINUTE;
- 3.6: DURABILITY: 20 TIMES Min.
- 3.7: OPERATING TEMPERATURE: -40°C~+85°C  
OPERATING HUMIDITY RANGE: 20% TO 85%

| Pin No. | P/N           | DIM A | DIM B | DIM C | DIM D | DIM E | DIM F | DIM G |
|---------|---------------|-------|-------|-------|-------|-------|-------|-------|
| 4       | 8.18A0.004200 | 5.06  | 2.55  | 1.50  | 5.46  | 3.85  | 4.10  | 6.90  |
| 5       | 8.18A0.005200 | 5.56  | 3.05  | 2.00  | 5.96  | 4.35  | 4.60  | 7.40  |
| 6       | 8.18A0.006200 | 6.06  | 3.55  | 2.50  | 6.46  | 4.85  | 5.10  | 7.90  |
| 7       | 8.18A0.007200 | 6.56  | 4.05  | 3.00  | 6.96  | 5.35  | 5.60  | 8.40  |
| 8       | 8.18A0.008200 | 7.06  | 4.55  | 3.50  | 7.46  | 5.85  | 6.10  | 8.90  |
| 10      | 8.18A0.010200 | 8.06  | 5.55  | 4.50  | 8.46  | 6.85  | 7.10  | 9.90  |
| 12      | 8.18A0.012200 | 9.06  | 6.55  | 5.50  | 9.46  | 7.85  | 8.10  | 10.90 |
| 14      | 8.18A0.014200 | 10.06 | 7.55  | 6.50  | 10.46 | 8.85  | 9.10  | 11.90 |
| 15      | 8.18A0.015200 | 10.56 | 8.05  | 7.00  | 10.96 | 9.35  | 9.60  | 12.40 |
| 16      | 8.18A0.016200 | 11.06 | 8.55  | 7.50  | 11.46 | 9.85  | 10.10 | 12.90 |
| 18      |               | 12.06 | 9.55  | 8.50  | 12.46 | 10.85 | 11.10 | 13.90 |
| 20      | 8.18A0.020200 | 13.06 | 10.55 | 9.50  | 13.46 | 11.85 | 12.10 | 14.90 |
| 22      |               | 14.06 | 11.55 | 10.50 | 14.46 | 12.85 | 13.10 | 15.90 |
| 24      | 8.18A0.024200 | 15.06 | 12.55 | 11.50 | 15.46 | 13.85 | 14.10 | 16.90 |
| 25      |               | 15.56 | 13.05 | 12.00 | 15.96 | 14.35 | 14.60 | 17.40 |
| 26      |               | 16.06 | 13.55 | 12.50 | 16.46 | 14.85 | 15.10 | 17.90 |
| 28      | 8.18A0.028200 | 17.06 | 14.55 | 13.50 | 17.46 | 15.85 | 16.10 | 18.90 |
| 30      | 8.18A0.030200 | 18.06 | 15.55 | 14.50 | 18.46 | 16.85 | 17.10 | 19.90 |
| 32      | 8.18A0.032200 | 19.06 | 16.55 | 15.50 | 19.46 | 17.85 | 18.10 | 20.90 |
| 34      | 8.18A0.034200 | 20.06 | 17.55 | 16.50 | 20.46 | 18.85 | 19.10 | 21.90 |
| 35      | 8.18A0.035200 | 20.56 | 18.05 | 17.00 | 20.96 | 19.35 | 19.60 | 22.40 |
| 36      | 8.18A0.036200 | 21.06 | 18.55 | 17.50 | 21.46 | 19.85 | 20.10 | 22.90 |
| 40      | 8.18A0.040200 | 23.06 | 20.55 | 19.50 | 23.46 | 21.85 | 22.10 | 24.90 |
| 42      |               | 24.06 | 21.55 | 20.50 | 24.46 | 22.85 | 23.10 | 25.90 |
| 45      | 8.18A0.045200 | 25.56 | 23.05 | 22.00 | 25.96 | 24.35 | 24.60 | 27.40 |
| 50      | 8.18A0.050200 | 28.06 | 25.55 | 24.50 | 28.46 | 26.85 | 27.10 | 29.90 |
| 52      | 8.18A0.052200 | 29.06 | 26.55 | 25.50 | 29.46 | 27.85 | 28.10 | 30.90 |
| 54      |               | 30.06 | 27.55 | 26.50 | 30.46 | 28.85 | 29.10 | 31.90 |
| 56      | 8.18A0.056200 | 31.06 | 28.55 | 27.50 | 31.46 | 29.85 | 30.10 | 32.90 |
| 60      | 8.18A0.060200 | 33.06 | 30.55 | 29.50 | 33.46 | 31.85 | 32.10 | 34.90 |

|     |            |                       |                            |           |
|-----|------------|-----------------------|----------------------------|-----------|
| 4   | STATOR     | BRASS                 |                            | 2         |
| 3   | TERMINAL   | PHOSPHOR BRONZE       |                            | POSITIONS |
| 2   | COVER      | THERMOPLASTIC UL94V-0 | BLACK                      | 1         |
| 1   | HOUSING    | THERMOPLASTIC UL94V-0 | NATURAL                    | 1         |
| NO. | COMPONENTS | MATERIALS             | FINISH/COLOR SPECIFICATION | QUANTITY  |



NOTE: ALL RIGHTS RESERVED, BANNED COPY!

| UNLESS OTHERWISE SPECIFIED TOLERANCE |       |      |       |
|--------------------------------------|-------|------|-------|
| ANG                                  | TOL   | DIM  | TOL   |
| .X                                   | ±3.0° | .X   | ±0.20 |
| .XX                                  | ±2.0° | .XX  | ±0.10 |
| .XXX                                 | ±1.0° | .XXX | ±0.05 |

**DIANWEI** 东莞市钿威电子科技有限公司  
DONGGUAN DIANWEI ELECTRONIC TECHNOLOGY CO., LTD  
Tel: +86-769-8788 8322 Fax: +86-769-8788 8321 E-mail: sales@ dianwei.cn Http://www.dianwei.cn

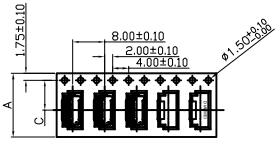
| DRAWING NO | PART NAME: | 0.5mm FFC/FPC DUAL CONTACT SIDE CONNECTOR(H=1.2mm) |            |       |       |
|------------|------------|--|------------|-------|-------|
| 8.18A0-C   | PART NO.   | 8.18A0.***200                                      |            |       |       |
| APPROVED   | VERIFIED   | DESIGN   | DATE       | UNITS | SCALE |
|            |            | CHEN   | 2019.01.16 | mm    | 1:1   |
|            |            |  | PAGE       | REV   |       |
|            |            |  | 1/1        | F     |       |

DRAWING TYPE

PACKAGE DRAWING

| MARK | DATE       | DESCRIPTION         | DESIGN |
|------|------------|---------------------|--------|
| D    | 2016.04.16 | ADD PERFORMANCE     | CHEN   |
| E    | 2017.06.12 | Change Plating Note | CHEN   |
| F    | 2019.01.16 | UPDATE DWG          | CHEN   |

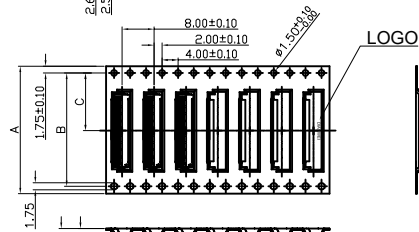
PULL OUT DIRECTION



NOTES:

- MATERIAL:
  - CARRY TAPE:HIPS,T=0.30±0.05mm,CLEAR
  - REEL:HIPS,
  - SHIM:PE,CLEAR.
- PRIMARY PACKING:3000PCS/REEL.
- SECONDARY PACKING:SEE PACKING LIST
- PEELING RESISTANCE: 0.1~1.3N(10~130gf); PEELING ANGLE: 165°~180°; PEELING SPEED: 300mm/minutes.

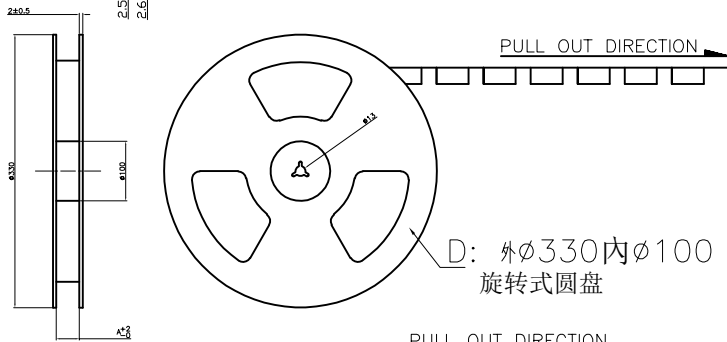
4~24PIN REEL



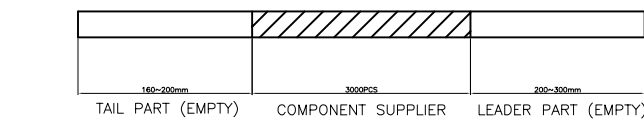
25~60PIN REEL

每盘使用PE带真空包装

PULL OUT DIRECTION

D: 外φ330内φ100  
旋转式圆盘

PULL OUT DIRECTION

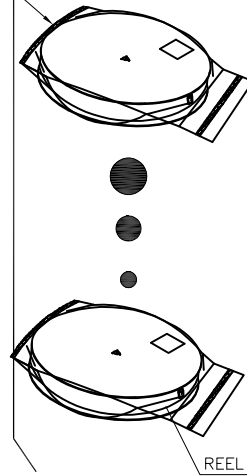


TAIL PART (EMPTY)

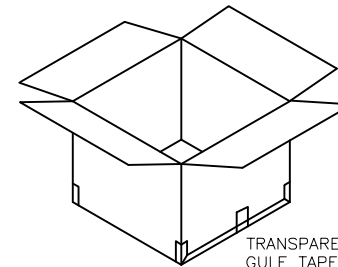
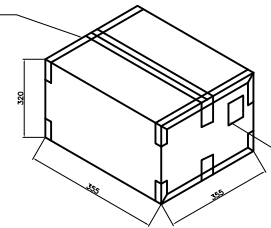
COMPONENT SUPPLIER

LEADER PART (EMPTY)

TOTAL N LAYERS



REEL LABEL

TRANSPARENT  
GULE TAPE

SIDE LABEL

## 6. QTY. LIST:

| NO. OF POS. | A    | B    | C    | PCS/REEL |
|-------------|------|------|------|----------|
| 4~8 PIN     | 16.0 | —    | 7.5  | 3000     |
| 9~24 PIN    | 24.0 | —    | 11.5 | 3000     |
| 25~34 PIN   | 32.0 | 28.4 | 14.2 | 3000     |
| 35~56 PIN   | 44.0 | 40.4 | 20.2 | 3000     |
| 57~60 PIN   | 56.0 | 52.4 | 26.2 | 3000     |

NOTE: ALL RIGHTS RESERVED,BANNED COPY!

UNLESS OTHERWISE  
SPECIFIED TOLERANCE

| ANG  | TOL   | DIM  | TOL   |
|------|-------|------|-------|
| .X   | ±3.0° | .X   | ±0.20 |
| .XX  | ±2.0° | .XX  | ±0.10 |
| .XXX | ±1.0° | .XXX | ±0.05 |

DIANWEI

东莞市钲威电子科技有限公司

DONGGUAN DIANWEI ELECTRONIC TECHNOLOGY CO., LTD

Tel: +86-769-8788 8322 Fax: +86-769-8788 8321 E-mail: sales@ dianwei.cn Http://www.dianwei.cn

| APPROVED |  | VERIFIED |  | DESIGN |  | DATE       |  | UNITS | SCALE | PAGE | REV |
|----------|--|----------|--|--------|--|------------|--|-------|-------|------|-----|
|          |  |          |  | CHEN   |  | 2019.01.16 |  | mm    | 1:1   | 1/1  | F   |

DRAWING NO

8.18A0-P

PART NAME:

0.5MM FFC/FPC DUAL CONTACT SIDE CONNECTOR (H=1.2mm)  
PACKAGE SPEC

PART NO.

8.18A0.\*\*\*200

QP-04-33-B