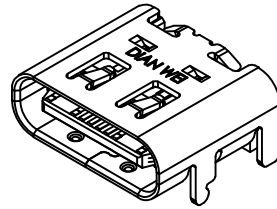
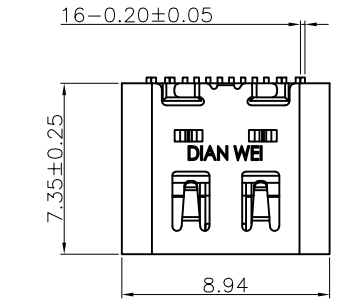


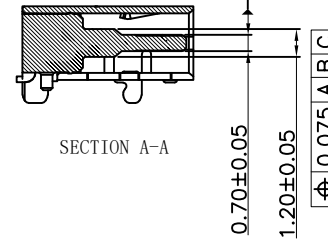
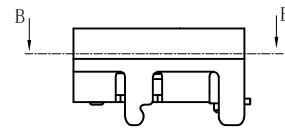
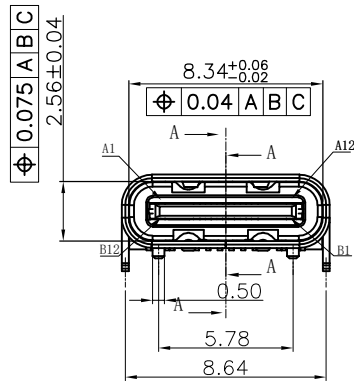
MARK	DATE	DESCRIPTION	DESIGN
A		NEW DRAWING	Ming Yuan



PART NO. INSTRUCTIONS:  
2.02AX.016X0X

- 0:脚长0.90
- 1:脚长1.20
- 2:脚长1.60
- 0:black
- 1:white
- 2 :Gold plated 1U"
- 3 :Gold plated 5U"
- 4 :Gold plated 10U"
- 5 :Gold plated 15U"
- 8 :Gold plated 30U"
- A :Gold plated 3U"

Pin	Signal Name	Mating Sequence	Pin	Signal Name	Mating Sequence
A1	GND	First	B12	GND	First
A4	V <sub>BUS</sub>	First	B9	V <sub>BUS</sub>	First
A5	CC1	Second	B8	SBU2	Second
A6	Dp1	Second	B7	Dn2	Second
A7	Dn1	Second	B6	Dp2	Second
A8	SBU1	Second	B5	CC2	Second
A9	V <sub>BUS</sub>	First	B4	V <sub>BUS</sub>	First
A12	GND	First	B1	GND	First
SHELL	GND		SHELL	GND	



NOTES:

- MATERIAL: SEE "TABLE 1";
- FINISH: SEE "TABLE 1";
- ELECTRICAL :
  - CONTACT CURRENT RATING : 12A(V<sub>BUS</sub> PIN AND GND PIN ),
  - INSULATION RESISTANCE : 100 MEGAOHMS MIN. AT 200VDC.
  - DIELECTRIC WITHSTANDING VOLTAGE : 100VAC MIN.
  - LOW LEVEL CONTACT RESISTANCE : INITIAL 40mΩ MAX. AFTER 50mΩ MAX.
- MECHANICAL CHARACTERISTICS :
  - MATING FORCE: 5~20N;
  - UNMATING FORCE: 8~20N(INITIAL),6~20N(AFTER 10000 CYCLES);
  - DURABILITY : 10,000 MATING CYCLES.
  - OPERATING TEMPERATURE :-40°C TO +80°C

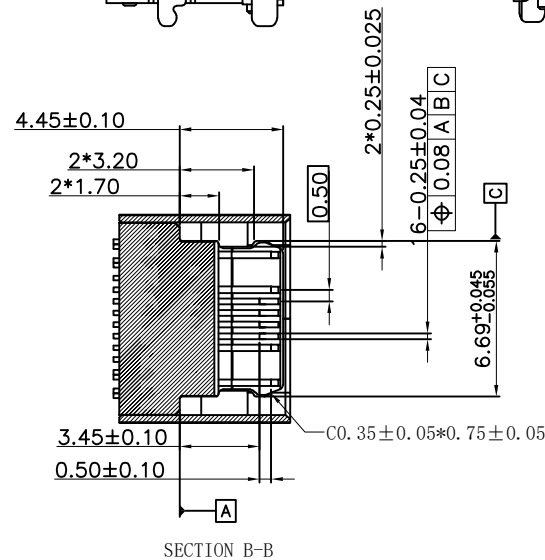


TABLE 1:

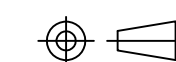
NO.	PART NAME	QTY	MATERIAL	DESCRIPTION	REMARK
④	Shell	1	Stainless steel	Ni:50U*MIN PLATING;	T=0.30mm
③	MID PLATE	1	Stainless steel	Ni:50U*MIN PLATING;	T=0.20mm
②	Terminal	16	Copper alloy	SEE PART NO. INSTRUCTIONS	T=0.25mm
①	Molding	3	HIGH TEMP	SEE PART NO. INSTRUCTIONS	

UNLESS OTHERWISE SPECIFIED TOLERANCE			
ANG	TOL	DIM	TOL
.X	±5°	.X	±0.38
.XX	±3°	.XX	±0.20
.XXX	±1°	.XXX	±0.10

**DIANWEI**

东莞市钿威电子科技有限公司  
DONGGUAN DIANWEI ELECTRONIC TECHNOLOGY CO.,LTD

Fax: +86-769-8788 8321 E-mail: sales@dianwei.cn Http://www.dianwei.cn



APPROVED

VERIFIED

DESIGN

表明

DRAWING NO

PART NAME:

TYPE C F 板上型16PIN SMT 客户图

PART NO.

2.02AX.016X0X

DATE

UNITS

SCALE

PAGE

REV

2022.05.26

mm

1:1

1/1

A

DRAWING TYPE

PACKAGE DRAWING

MARK

DATE

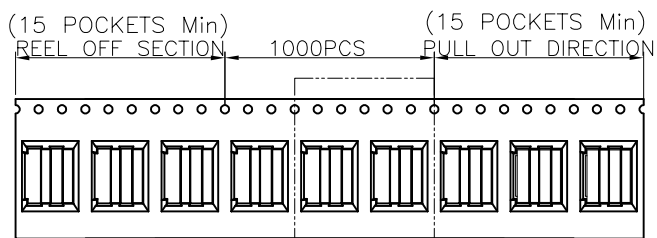
DESCRIPTION

DESIGN

A

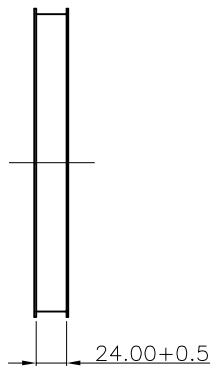
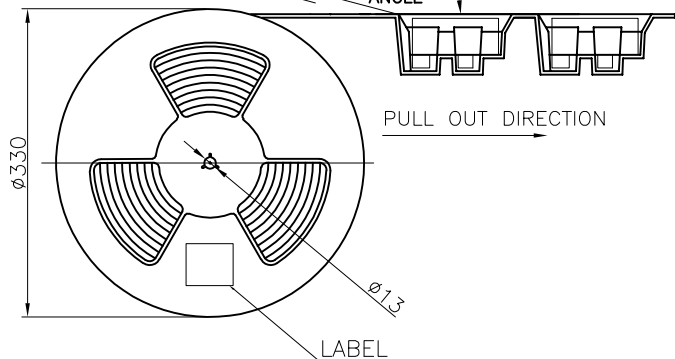
NEW DRAWING

Ming Yuan

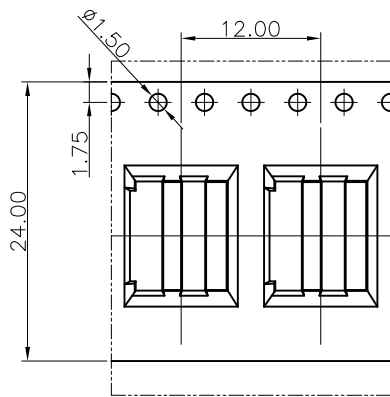


SEE DETAIL X

PEELING DIRECTION  
165°~180°  
PEELING ANGLE

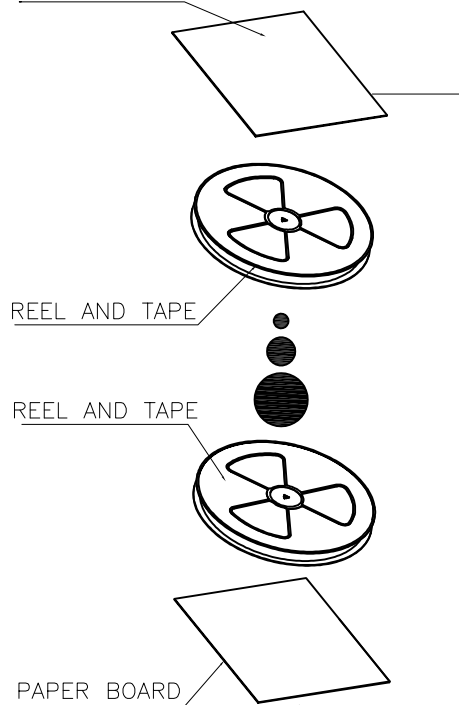


REEL OFF DIRECTION



DETAIL X

PAPER BOARD



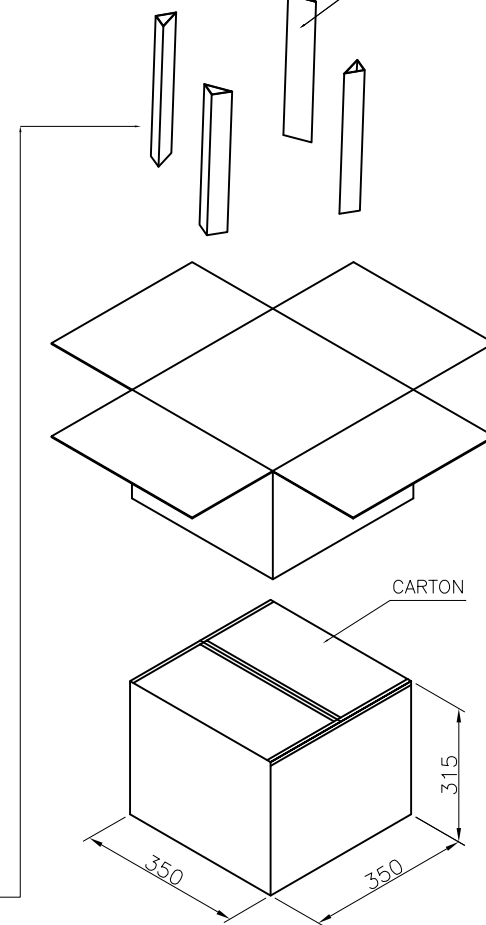
REEL AND TAPE

REEL AND TAPE

PAPER BOARD

每10盘

每10盘用1个PE袋装上

FOLDER  
PAPER BOARD

CARTON

	REEL	CARTON
CONNECTOR (PCS)	1000	10000

UNLESS OTHERWISE SPECIFIED TOLERANCE

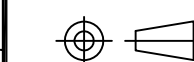
ANG	TOL	DIM	TOL
.X	±2.0°	.X	±0.10
.XX	±1.0°	.XX	±0.05
.XXX	±0.5°	.XXX	±0.03

**DIANWEI**

东莞市钿威电子科技有限公司

DONGGUAN DIANWEI ELECTRONIC TECHNOLOGY CO.,LTD

Tel: +86-769-8788 8322 Fax: +86-769-8788 8321 E-mail: sales@dianwei.cn Http://www.dianwei.cn



DRAWING NO

PART NAME:

TYPE C F 板上型16PIN SMT 客户图

APPROVED

VERIFIED

DESIGN

PART NO.

2.02AX.016X0X

DATE

UNITS

SCALE

PAGE

REV

2022.05.26

mm

1:1

1/1

A

袁明

QP-04-33-B