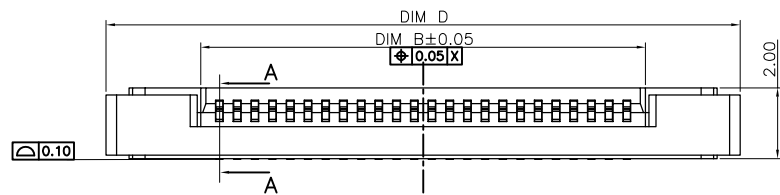
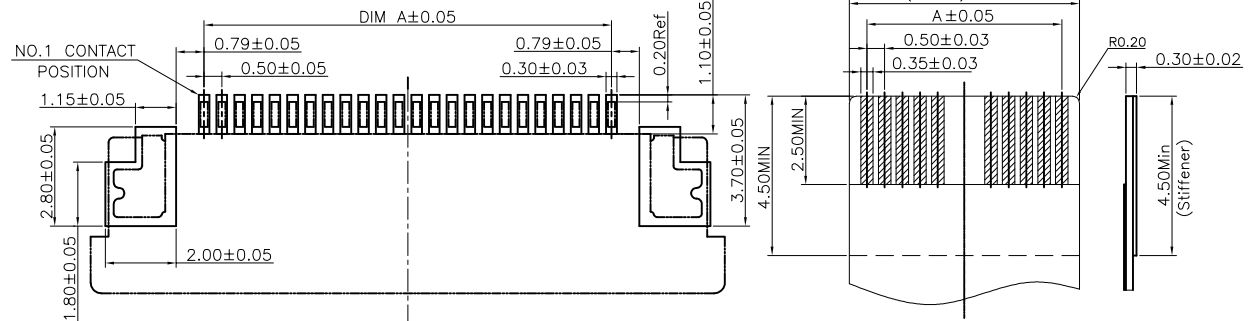
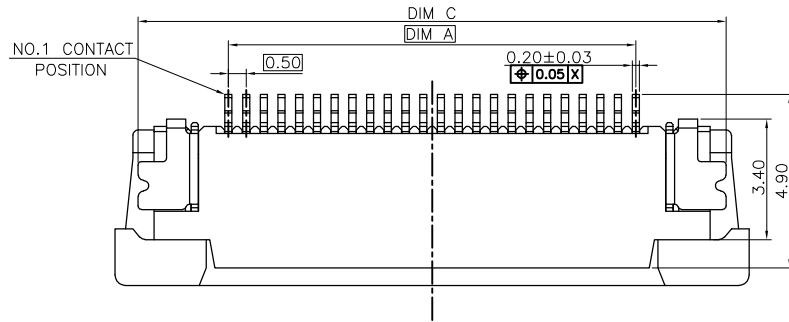
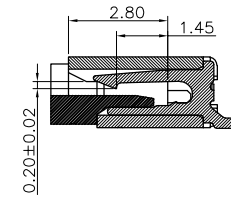
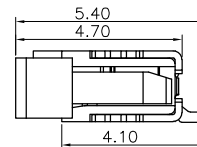


DRAWING TYPE CUSTOMER DRAWING

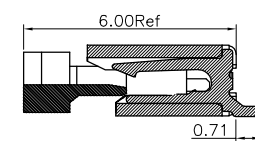
MARK	DATE	DESCRIPTION	DESIGN
A	2017.06.26	PROPOSAL	CHEN



RECOMMENDED PC BOARD (TOP VIEW)



RECOMMENDED FFC/FPC DIM

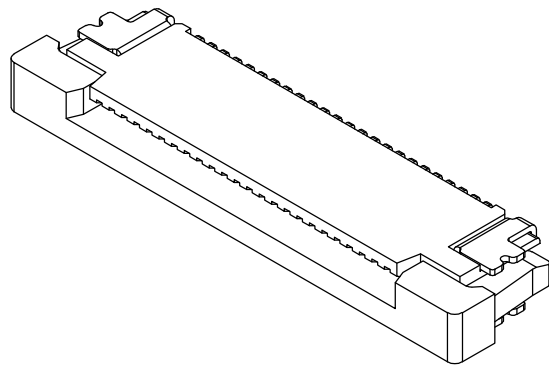
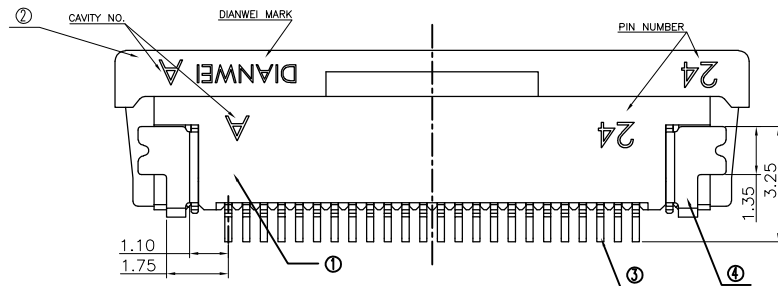


1. PART NO. LEGEND:
8.23A0 . * 2 0 0**
 ① ② ③ ④ ⑤

- ① SERIES NAME: 8.13A0=0.5MM FFC/FPC HORIZONTAL TYPE CONNECTOR
- ② CONTACT PIN NUMBER: ***=CONTACT PIN NUMBER
- ③ CONTACT AREA PLATING SPEC: GOLD PLATING: 2=1~3u"; 3=5u"; 4=10u"; 5=15u"
 SOLDER AREA PLATING SPEC: GOLD PLATING: 2=1~3u"; 3=5u"; 4=10u"; 5=15u"
- ④ UNSPECIFIED: 0=NONSENSE
- ⑤ UNSPECIFIED: 0=NONSENSE

2. PERFORMANCE:
- 2.1: CURRENT RATING: 0.5A/PIN.
 - 2.2: VOLTAGE RATING: 50V (AC/DC).
 - 2.3: CONTACT RESISTANCE: INITIAL VALUE 30mOHM Max,
 - 2.4: INSULATION RESISTANCE: 500MOHM Min.
 - 2.5: DIELECTRIC WITHSTANDING VOLTAGE: 250V AC FOR 1MINUTE;
 - 2.6: DURABILITY: 20 TIMES Min.
 - 2.7: OPERATING TEMPERATURE: -40°C~+85°C
 OPERATING HUMIDITY RANGE: 20% TO 85%

SECTION: A-A
 SCALE: 1:1



Pin No.	P/N	DIM A	DIM B	DIM C	DIM D
24	8.13A0.024200	11.50	12.56	16.60	17.90

NO.	COMPONENTS	MATERIALS	FINISH/COLOR	SPECIFICATION	QUANTITY
4	STATOR	PHOSPHOR BRONZE			2
3	TERMINAL	PHOSPHOR BRONZE			POSITIONS
2	COVER	THERMOPLASTIC UL94V-0	BLACK		1
1	HOUSING	THERMOPLASTIC UL94V-0	NATURAL		1

NOTE: ALL RIGHTS RESERVED, BANNED COPY!

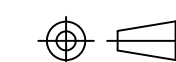
DIANWEI

东莞市钿威电子科技有限公司

DONGGUAN DIANWEI ELECTRONIC TECHNOLOGY CO., LTD

Tel: +86-769-8788 8322 Fax: +86-769-8788 8321 E-mail: sales@dianwei.cn Http://www.dianwei.cn

UNLESS OTHERWISE SPECIFIED TOLERANCE			
ANG	TOL	DIM	TOL
.X	±3.0°	.X	±0.20
.XX	±2.0°	.XX	±0.10
.XXX	±1.0°	.XXX	±0.05



APPROVED

VERIFIED

DRAWING NO

8.23A0-C

PART NAME:

0.5MM FFC/FPC TOP CONTACT HORIZONTAL TYPE CONNECTOR(H=2.0mm)

PART NO.

8.23A0.***200

DESIGN

CHEN

DATE

2017.06.26

UNITS

mm

SCALE

1:1

PAGE

1/2

REV

A

DRAWING TYPE

CUSTOMER DRAWING

MARK

DATE

DESCRIPTION

DESIGN

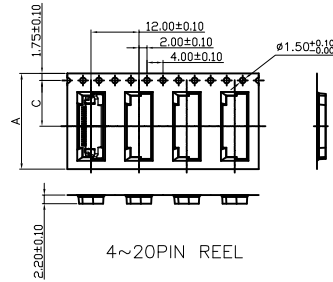
A

2017.06.26

PROPOSAL

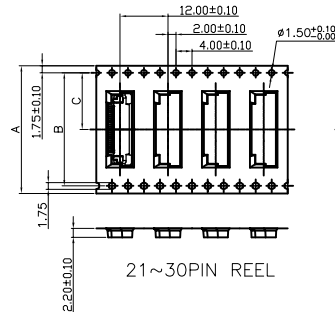
CHEN

PULL OUT DIRECTION



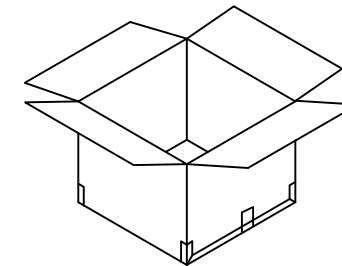
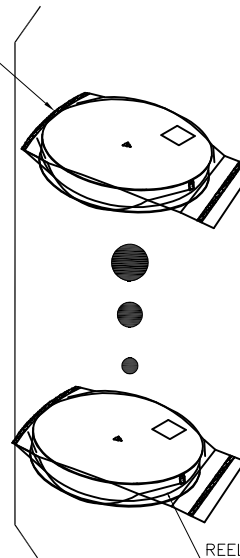
NOTES:

- MATERIAL:
 - CARRY TAPE:HIPS,T=0.30±0.05mm,BLACK
 - REEL:HIPS,
 - SHIM:PE,CLEAR.
- PRIMARY PACKING:2000PCS/REEL.
- SECONDARY PACKING:SEE PACKING LIST
- PEELING RESISTANCE: 0.2~1.2N(20~120gf); PEELING ANGLE: 165°~180°; PEELING SPEED: 300mm/minutes.

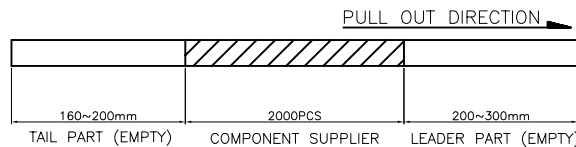
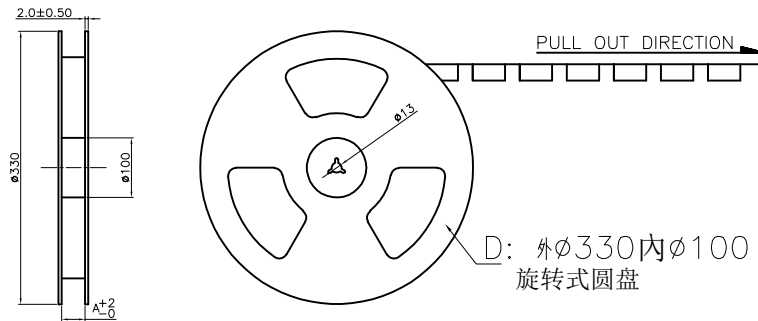
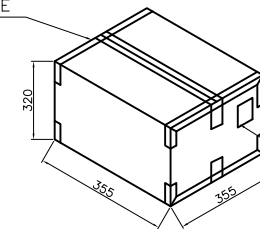


每盘使用PE带真空包装

TOTAL N LAYERS



TRANSPARENT GULE TAPE

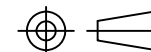


5. QTY. LIST:

NO. OF POS.	A	B	C	PCS/REEL
4~20 PIN	24.0	—	11.5	2000
21~30 PIN	32.0	28.4	14.2	2000

UNLESS OTHERWISE SPECIFIED TOLERANCE

ANG	TOL	DIM	TOL
.X	±3.0°	.X	±0.20
.XX	±2.0°	.XX	±0.10
.XXX	±1.0°	.XXX	±0.05



APPROVED

VERIFIED

DRAWING NO

8.23A0-P

PART NAME:

0.5MM FFC/FPC VERTICAL TYPE CONNECTOR PACKAGE SPEC

PART NO.

8.23A0.***200

DESIGN

CHEN

DATE

2017.06.26

UNITS

mm

SCALE

1:1

PAGE

2/2

REV

A

NOTE: ALL RIGHTS RESERVED,BANNED COPY!

DIANWEI

东莞市钲威电子科技有限公司

DONGGUAN DIANWEI ELECTRONIC TECHNOLOGY CO., LTD

Tel: +86-769-8788 8322 Fax: +86-769-8788 8321 E-mail: sales@ dianwei.cn Http://www.dianwei.cn

QP-04-33-B