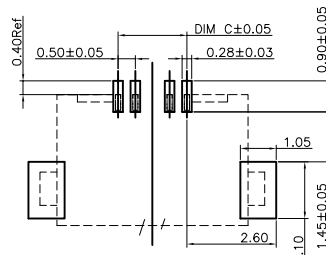
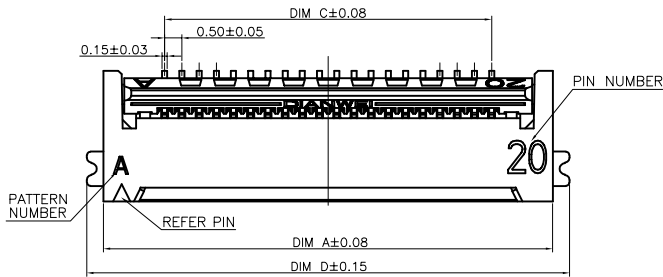
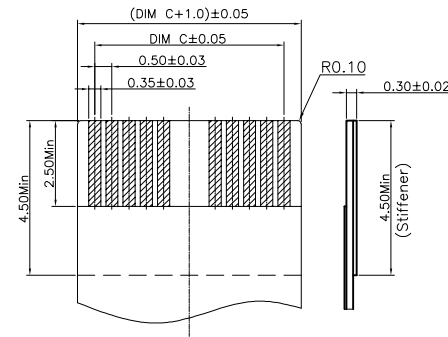


DRAWING TYPE CUSTOMER DRAWING

| MARK | DATE | DESCRIPTION | DESIGN |
|------|------------|---------------------|--------|
| B | 2016.04.16 | ADD PERFORMANCE | CHEN |
| C | 2017.06.12 | Change Plating Note | CHEN |
| D | 2019.01.16 | UPDATE THE DRAWING | CHEN |

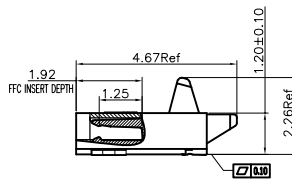
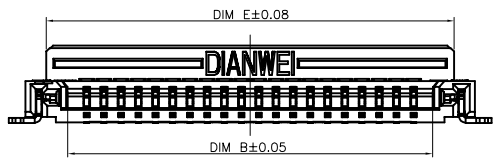


RECOMMENDED PCB LAYOUT



RECOMMENDED FFC/FPC

| Pin No. | P/N | DIM A | DIM B | DIM C | DIM D | DIM E |
|---------|---------------|-------|-------|-------|-------|-------|
| 4 | 8.22A0.004200 | 5.06 | 2.55 | 1.50 | 6.00 | 3.85 |
| 5 | 8.22A0.005200 | 5.56 | 3.05 | 2.00 | 6.50 | 4.35 |
| 6 | 8.22A0.006200 | 6.06 | 3.55 | 2.50 | 7.00 | 4.85 |
| 7 | 8.22A0.007200 | 6.56 | 4.05 | 3.00 | 7.50 | 5.35 |
| 8 | 8.22A0.008200 | 7.06 | 4.55 | 3.50 | 8.00 | 5.85 |
| 10 | 8.22A0.010200 | 8.06 | 5.55 | 4.50 | 9.00 | 6.85 |
| 12 | 8.22A0.012200 | 9.06 | 6.55 | 5.50 | 10.00 | 7.85 |
| 14 | 8.22A0.014200 | 10.06 | 7.55 | 6.50 | 11.00 | 8.85 |
| 15 | 8.22A0.015200 | 10.56 | 8.05 | 7.00 | 11.50 | 9.35 |
| 16 | 8.22A0.016200 | 11.06 | 8.55 | 7.50 | 12.00 | 9.85 |
| 18 | | 12.06 | 9.55 | 8.50 | 13.00 | 10.85 |
| 20 | 8.22A0.020200 | 13.06 | 10.55 | 9.50 | 14.00 | 11.85 |
| 22 | | 14.06 | 11.55 | 10.50 | 15.00 | 12.85 |
| 24 | 8.22A0.024200 | 15.06 | 12.55 | 11.50 | 16.00 | 13.85 |
| 25 | | 15.56 | 13.05 | 12.00 | 16.50 | 14.35 |
| 26 | | 16.06 | 13.55 | 12.50 | 17.00 | 14.85 |
| 28 | 8.22A0.028200 | 17.06 | 14.55 | 13.50 | 18.00 | 15.85 |
| 30 | 8.22A0.030200 | 18.06 | 15.55 | 14.50 | 19.00 | 16.85 |
| 32 | 8.22A0.032200 | 19.06 | 16.55 | 15.50 | 20.00 | 17.85 |
| 34 | 8.22A0.034200 | 20.06 | 17.55 | 16.50 | 21.00 | 18.85 |
| 35 | 8.22A0.035200 | 20.56 | 18.05 | 17.00 | 21.50 | 19.35 |
| 36 | 8.22A0.036200 | 21.06 | 18.55 | 17.50 | 22.00 | 19.85 |
| 40 | 8.22A0.040200 | 23.06 | 20.55 | 19.50 | 24.00 | 21.85 |
| 42 | | 24.06 | 21.55 | 20.50 | 25.00 | 22.85 |
| 45 | 8.22A0.045200 | 25.56 | 23.05 | 22.00 | 26.50 | 24.35 |
| 50 | 8.22A0.050200 | 28.06 | 25.55 | 24.50 | 29.00 | 26.85 |
| 52 | 8.22A0.052200 | 29.06 | 26.55 | 25.50 | 30.00 | 27.85 |
| 54 | | 30.06 | 27.55 | 26.50 | 31.00 | 28.85 |
| 56 | 8.22A0.056200 | 31.06 | 28.55 | 27.50 | 32.00 | 29.85 |
| 60 | 8.22A0.060200 | 33.06 | 30.55 | 29.50 | 34.00 | 31.85 |



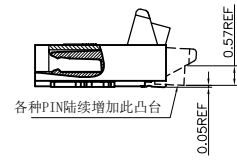
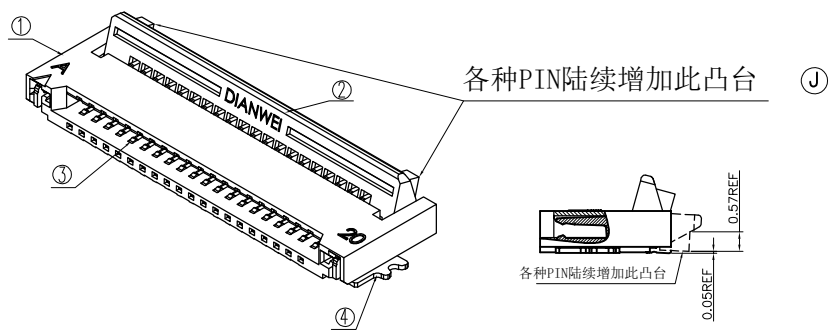
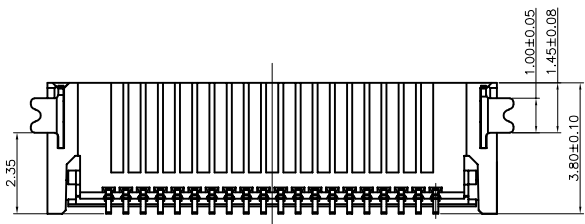
- FPC NOT MATING CONDITION BANNED CLOSURE
- PART NO. LEGEND:

8.22A0.***200

- SERIES NAME: 8.22A0= 0.5MM FFC/FPC DUAL CONTACT SIDE CONNECTOR (H=1.2mm)
- CONTACT PIN NUMBER: ***=CONTACT PIN NUMBER
- CONTACT AREA PLATING SPEC: GOLD PLATING: 2=1~3u", 3=5u", 4=10u", 5=15u"
SOLDER AREA PLATING SPEC: GOLD PLATING: 2=1~3u", 3=5u", 4=10u", 5=15u"
- UNSPECIFIED: 0=NONSENSE
- UNSPECIFIED: 0=NONSENSE

- PERFORMANCE:
 - CURRENT RATING: 0.5A/PIN.
 - VOLTAGE RATING: 50V (AC/DC).
 - CONTACT RESISTANCE: INITIAL VALUE 30mOHM Max,
 - INSULATION RESISTANCE: 500MOMH Min.
 - DIELECTRIC WITHSTANDING VOLTAGE: 250V AC FOR 1MINUTE;
 - DURABILITY: 20 TIMES Min.
 - OPERATING TEMPERATURE: -40°C~+85°C
OPERATING HUMIDITY RANGE: 20% TO 85%

| NO. | COMPONENTS | MATERIALS | FINISH/COLOR | SPECIFICATION | QUANTITY |
|-----|------------|-----------------------|--------------|---------------|-----------|
| 4 | STATOR | BRASS | | | 2 |
| 3 | TERMINAL | PHOSPHOR BRONZE | | | POSITIONS |
| 2 | COVER | THERMOPLASTIC UL94V-0 | BLACK | | 1 |
| 1 | HOUSING | THERMOPLASTIC UL94V-0 | NATURAL | | 1 |



各种PIN陆续增加此凸台

| UNLESS OTHERWISE SPECIFIED TOLERANCE | | | |
|--------------------------------------|-------|------|-------|
| ANG | TOL | DIM | TOL |
| .X | ±3.0° | .X | ±0.20 |
| .XX | ±2.0° | .XX | ±0.10 |
| .XXX | ±1.0° | .XXX | ±0.05 |

NOTE: ALL RIGHTS RESERVED, BANNED COPY!

DIANWEI

东莞市钿威电子科技有限公司

DONGGUAN DIANWEI ELECTRONIC TECHNOLOGY CO., LTD

Tel: +86-769-8788 8322 Fax: +86-769-8788 8321 E-mail: sales@dianwei.cn Http://www.dianwei.cn

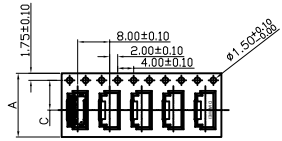
| | | | | | | | | |
|----------|----------|--------|------------|------------|--|------|-----|--|
| APPROVED | VERIFIED | DESIGN | DRAWING NO | PART NAME: | 0.5mm FFC/FPC DUAL CONTACT SIDE CONNECTOR(H=1.2mm) | | | |
| | | | 8.22A0-C | PART NO. | 8.22A0.***200 | | | |
| | | | DATE | UNITS | SCALE | PAGE | REV | |
| | | | 2019.01.16 | mm | 1:1 | 1/1 | D | |

DRAWING TYPE

PACKAGE DRAWING

| MARK | DATE | DESCRIPTION | DESIGN |
|------|------------|---------------------|--------|
| B | 2016.04.16 | ADD PERFORMANCE | WP |
| C | 2017.06.12 | Change Plating Note | CHEN |
| D | 2019.01.16 | UPDATE DWG | CHEN |

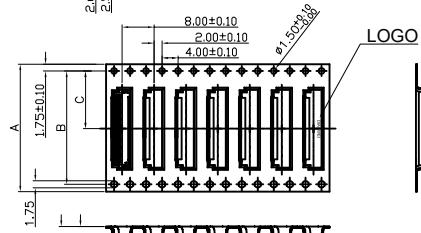
PULL OUT DIRECTION



NOTES:

- MATERIAL:
 - CARRY TAPE:HIPS,T=0.30±0.05mm,CLEAR
 - REEL:HIPS,
 - SHIM:PE,CLEAR.
- PRIMARY PACKING:3000PCS/REEL.
- SECONDARY PACKING:SEE PACKING LIST
- PEELING RESISTANCE: 0.1~1.3N(10~130gf); PEELING ANGLE: 165°~180°; PEELING SPEED: 300mm/minutes.

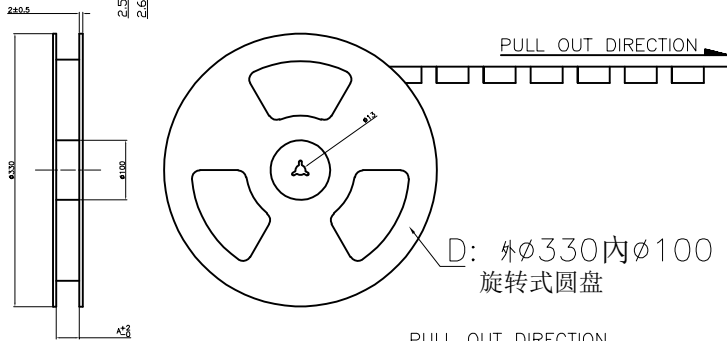
4~24PIN REEL



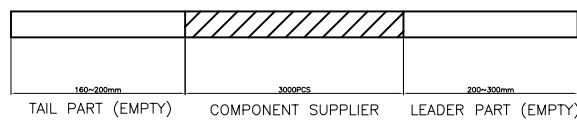
25~60PIN REEL

每盘使用PE带真空包装

PULL OUT DIRECTION

D: 外φ330内φ100
旋转式圆盘

PULL OUT DIRECTION

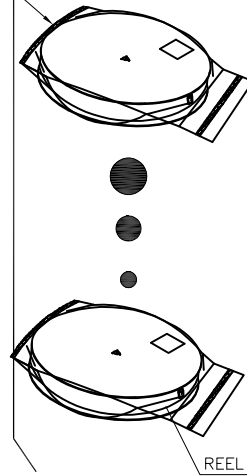


TAIL PART (EMPTY)

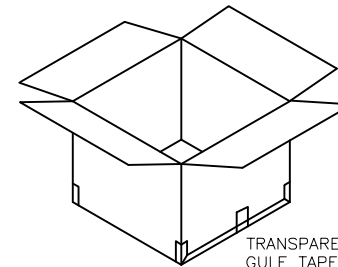
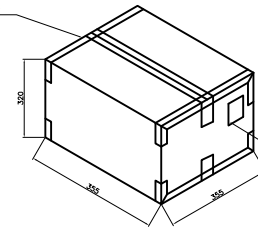
COMPONENT SUPPLIER

LEADER PART (EMPTY)

TOTAL N LAYERS



REEL LABEL

TRANSPARENT
GULE TAPE

SIDE LABEL

6. QTY. LIST:

| NO. OF POS. | A | B | C | PCS/REEL |
|-------------|------|------|------|----------|
| 4~8 PIN | 16.0 | — | 7.5 | 3000 |
| 9~24 PIN | 24.0 | — | 11.5 | 3000 |
| 25~34 PIN | 32.0 | 28.4 | 14.2 | 3000 |
| 35~56 PIN | 44.0 | 40.4 | 20.2 | 3000 |
| 57~60 PIN | 56.0 | 52.4 | 26.2 | 3000 |

UNLESS OTHERWISE
SPECIFIED TOLERANCE

| ANG | TOL | DIM | TOL |
|------|-------|------|-------|
| .X | ±3.0° | .X | ±0.20 |
| .XX | ±2.0° | .XX | ±0.10 |
| .XXX | ±1.0° | .XXX | ±0.05 |

DIANWEI

东莞市钿威电子科技有限公司

DONGGUAN DIANWEI ELECTRONIC TECHNOLOGY CO., LTD

Tel: +86-769-8788 8322 Fax: +86-769-8788 8321 E-mail: sales@ dianwei.cn Http://www.dianwei.cn

| DRAWING NO | | PART NAME: | | | |
|------------|--|---|--|---------------|-------|
| 8.22A0-P | | 0.5MM FFC/FPC DUAL CONTACT SIDE CONNECTOR (H=1.2mm) PACKAGE SPEC | | | |
| APPROVED | | PART NO. | | 8.22A0.***200 | |
| VERIFIED | | DATE | | UNITS | SCALE |
| DESIGN | | 2019.01.16 | | mm | 1:1 |
| CHEN | | PAGE | | 1/1 | REV |
| | | D | | | |

NOTE: ALL RIGHTS RESERVED,BANNED COPY!

QP-04-33-B