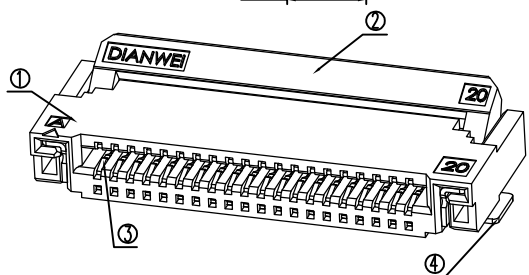
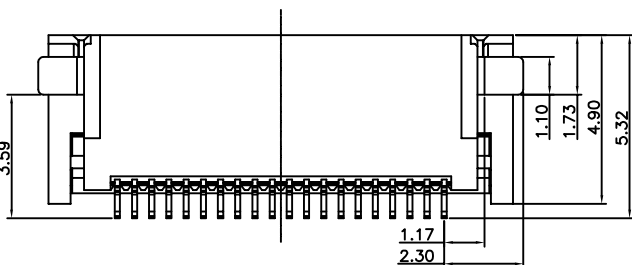
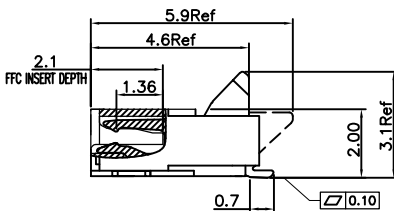
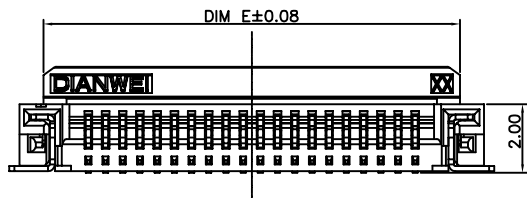
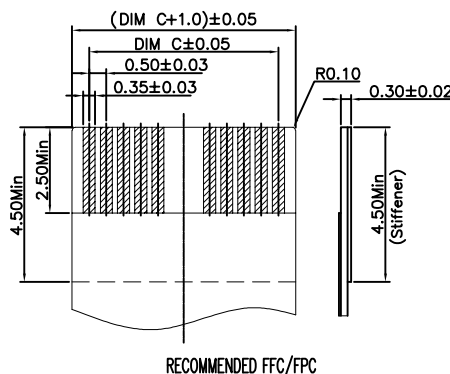
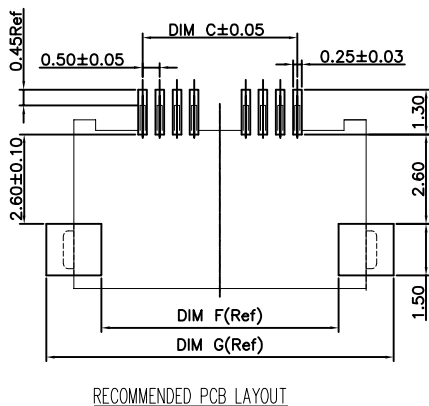
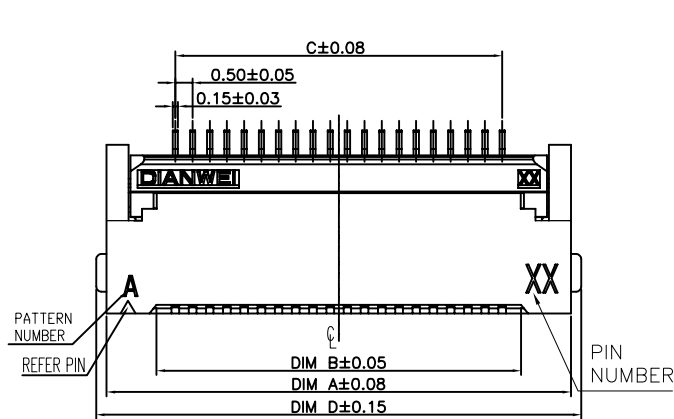


DRAWING TYPE CUSTOMER DRAWING

MARK	DATE	DESCRIPTION	DESIGN
C	2015.08.24	CHANGE PART NUMBER	
D	2016.04.16	ADD PERFORMANCE	
E	2017.06.12	Change Plating Note	



NOTE: ALL RIGHTS RESERVED, BANNED COPY!

- FPC NOT MATING CONDITION BANNED CLOSURE
- PART NO. LEGEND:
8.19A0 . * 2 0 0**
 ① ② ③ ④ ⑤
- PERFORMANCE:
 - CURRENT RATING: 0.5A/PIN.
 - VOLTAGE RATING: 50V (AC/DC).
 - CONTACT RESISTANCE: INITIAL VALUE 30mOHM Max,
 - INSULATION RESISTANCE: 500MOHM Min.
 - DIELECTRIC WITHSTANDING VOLTAGE: 250V AC FOR 1MINUTE;
 - DURABILITY: 20 TIMES Min.
 - OPERATING TEMPERATURE: -40℃~+85℃
 - OPERATING HUMIDITY RANGE: 20% TO 85%

Pin No	P/N	DIM A	DIM E	DIM D	DIM C	DIM B	DIM F	DIM G
4	8.19A0.004200	5.50	2.55	1.50	6.10	4.10	3.90	7.10
5	8.19A0.005200	6.00	3.05	2.00	6.60	4.60	4.40	7.60
6	8.19A0.006200	6.50	3.55	2.50	7.10	5.10	4.90	8.10
8	8.19A0.008200	7.50	4.55	3.50	8.10	6.10	5.90	9.10
9	8.19A0.009200	8.00	5.05	4.00	8.60	6.60	6.40	9.60
10	8.19A0.010200	8.50	5.55	4.50	9.10	7.10	6.90	10.10
12	8.19A0.012200	9.50	6.55	5.50	10.10	8.10	7.90	11.10
14	8.19A0.014200	10.50	7.55	6.50	11.10	9.10	8.90	12.10
15	8.19A0.015200	11.00	8.05	7.00	11.60	9.60	9.40	12.60
16	8.19A0.016200	11.50	8.55	7.50	12.10	10.10	9.90	13.10
18	8.19A0.018200	12.50	9.55	8.50	13.10	11.10	10.90	14.10
20	8.19A0.020200	13.50	10.55	9.50	14.10	12.10	11.90	15.10
22	8.19A0.022200	14.50	11.55	10.50	15.10	13.10	12.90	16.10
24	8.19A0.024200	15.50	12.55	11.50	16.10	14.10	13.90	17.10
26	8.19A0.026200	16.50	13.55	12.50	17.10	15.10	14.90	18.10
28	8.19A0.028200	17.50	14.55	13.50	18.10	16.10	15.90	19.10
30	8.19A0.030200	18.50	15.55	14.50	19.10	17.10	16.90	20.10
32	8.19A0.032200	19.50	16.55	15.50	20.10	18.10	17.90	21.10
34	8.19A0.034200	20.50	17.55	16.50	21.10	19.10	18.90	22.10
35	8.19A0.035200	21.00	18.05	17.00	21.60	19.60	19.40	22.60
36	8.19A0.036200	21.50	18.55	17.50	22.10	20.10	19.90	23.10
38	8.19A0.038200	22.50	19.55	18.50	23.10	21.10	20.90	24.10
40	8.19A0.040200	23.50	20.55	19.50	24.10	22.10	21.90	25.10
41	8.19A0.041200	24.00	21.05	20.00	24.60	22.60	22.40	25.60
42	8.19A0.042200	24.50	21.55	20.50	25.10	23.10	22.90	26.10
45	8.19A0.045200	26.00	23.05	22.00	26.60	24.60	24.40	27.60
50	8.19A0.050200	28.50	25.55	24.50	29.10	27.10	26.90	30.10
51	8.19A0.051200	29.00	26.05	25.00	29.60	27.60	27.40	30.60
52	8.19A0.052200	29.50	26.55	25.50	30.10	28.10	27.90	31.10
54	8.19A0.054200	30.50	27.55	26.50	31.10	29.10	28.90	32.10
55	8.19A0.055200	31.00	28.05	27.00	31.60	29.60	29.40	32.60
58	8.19A0.058200	32.50	29.55	28.50	33.10	31.10	30.90	34.10
60	8.01A0.060200	33.50	30.55	29.50	34.10	32.10	31.90	35.10

4	STATOR	BRASS		2
3	TERMINAL	PHOSPHOR BRONZE		POSITIONS
2	COVER	THERMOPLASTIC UL94V-0	BLACK	1
1	HOUSING	THERMOPLASTIC UL94V-0	NATURAL	1
NO.	COMPONENTS	MATERIALS	FINISH/COLOR SPECIFICATION	QUANTITY

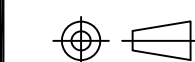
DIANWEI

东莞市钿威电子科技有限公司

DONGGUAN DIANWEI ELECTRONIC TECHNOLOGY CO., LTD

Tel: +86-769-8788 8322 Fax: +86-769-8788 8321 E-mail: sales@dianwei.cn Http://www.dianwei.cn

UNLESS OTHERWISE SPECIFIED TOLERANCE			
ANG	TOL	DIM	TOL
.X	±3.0°	.X	±0.20
.XX	±2.0°	.XX	±0.10
.XXX	±1.0°	.XXX	±0.05



APPROVED VERIFIED DESIGN

DRAWING NO

8.19A0-C

DESIGN

CHEN

PART NAME:

0.5mm FFC/FPC DUAL CONTACT SIDE CONNECTOR(H=2.0mm)

PART NO.

8.19A0.***200

DATE

2017.06.12

UNITS

mm

SCALE

1:1

PAGE

1/2

REV

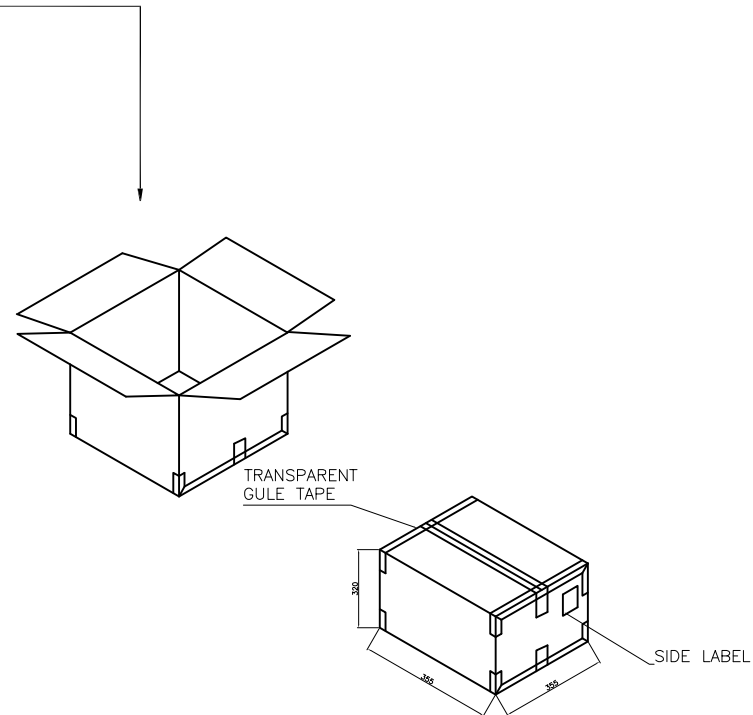
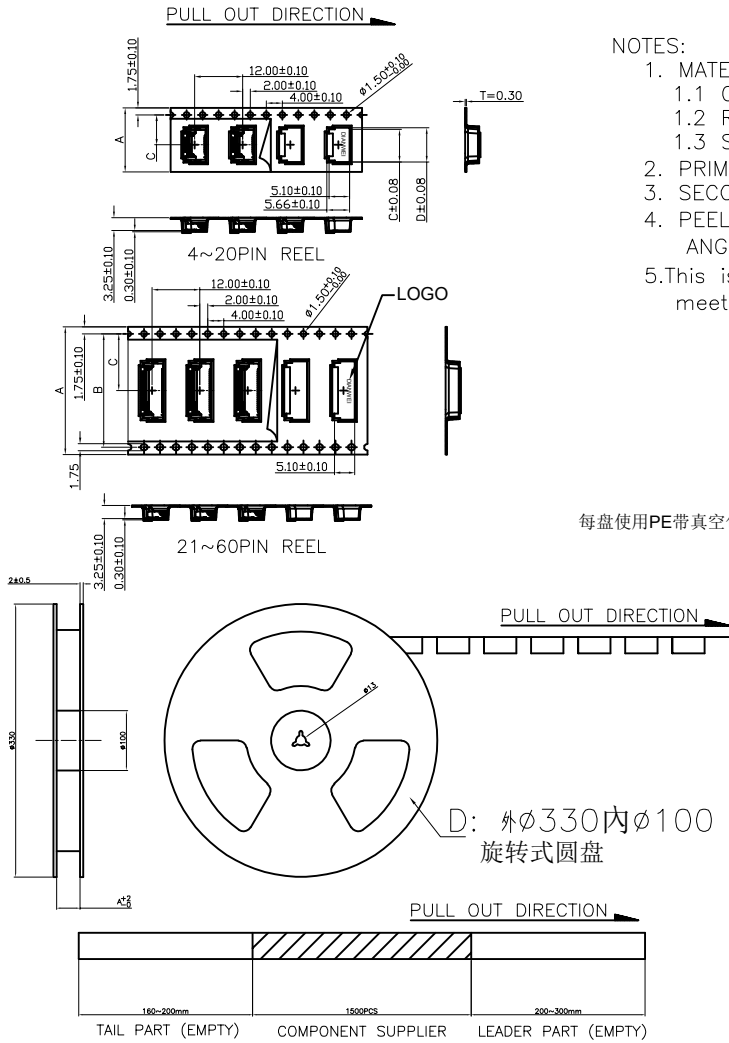
E

DRAWING TYPE PACKAGE DRAWING

MARK	DATE	DESCRIPTION	DESIGN
D	2016.04.16	ADD PERFORMANCE	CHEN
E	2017.06.12	Change Plating Note	CHEN
F	2019.01.16	UPDATE DWG	CHEN

NOTES:

- MATERIAL:
 - CARRY TAPE:HIPS,T=0.30±0.05mm,CLEAR
 - REEL:HIPS,
 - SHIM:PE,CLEAR.
- PRIMARY PACKING:1500PCS/REEL.
- SECONDARY PACKING:SEE PACKING LIST
- PEELING RESISTANCE: 0.1~1.3N(10~130gf); PEELING ANGLE: 165°~180°; PEELING SPEED: 300mm/minutes.
- This is to certify that all of parts shipped definitely can meet the requirements of Rohs and Halogen Free(HF)



6. QTY. LIST:

NO. OF POS.	A	B	C	PCS/REEL
4~8PIN	16.0	7.5	1500	
9~20 PIN	24.0	11.5	1500	
21~34 PIN	32.0	14.2	1500	
35~54 PIN	44.0	20.2	1500	
55~60 PIN	56.0	26.2	1500	

NOTE: ALL RIGHTS RESERVED,BANNED COPY!

UNLESS OTHERWISE SPECIFIED TOLERANCE			
ANG	TOL	DIM	TOL
.X	±3.0°	.X	±0.20
.XX	±2.0°	.XX	±0.10
.XXX	±1.0°	.XXX	±0.05

DIANWEI

东莞市钿威电子科技有限公司

DONGGUAN DIANWEI ELECTRONIC TECHNOLOGY CO.,LTD

Tel: +86-769-8788 8322 Fax: +86-769-8788 8321 E-mail: sales@ dianwei.cn Http://www.dianwei.cn

DRAWING NO		PART NAME:	
8.19A0-P		0.5mm FFC/FPC DUAL CONTACT SIDE CONNECTOR(H=2.0mm) PACKAGE SPEC	
PART NO.		DATE	
8.19A0-***200		2019.01.16	
UNITS	SCALE	PAGE	REV
mm	1:1	1/1	F

APPROVED

VERIFIED

DESIGN

CHEN