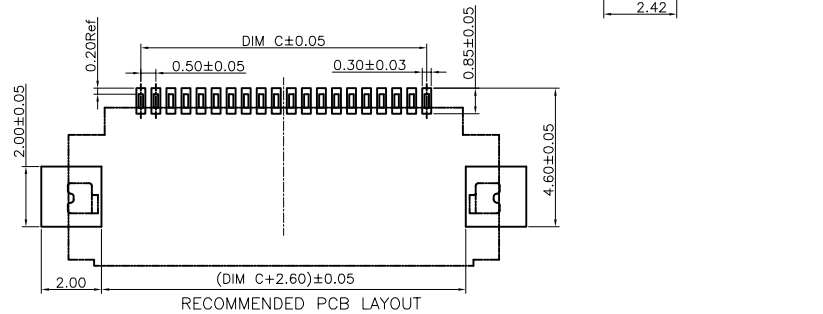
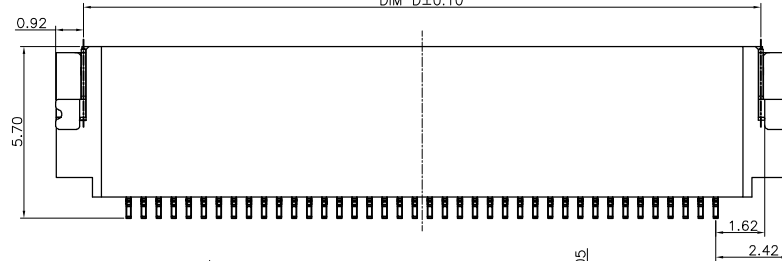
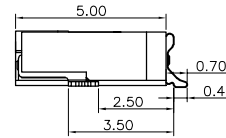
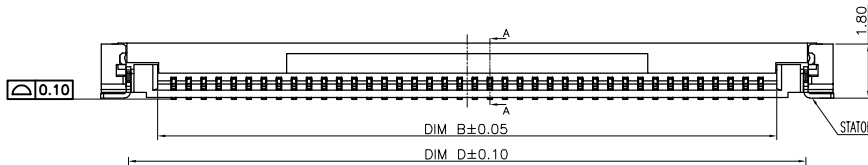
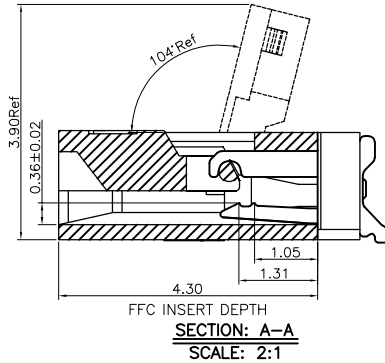
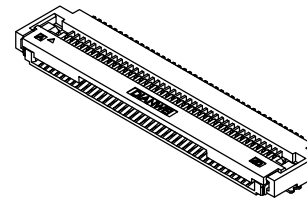
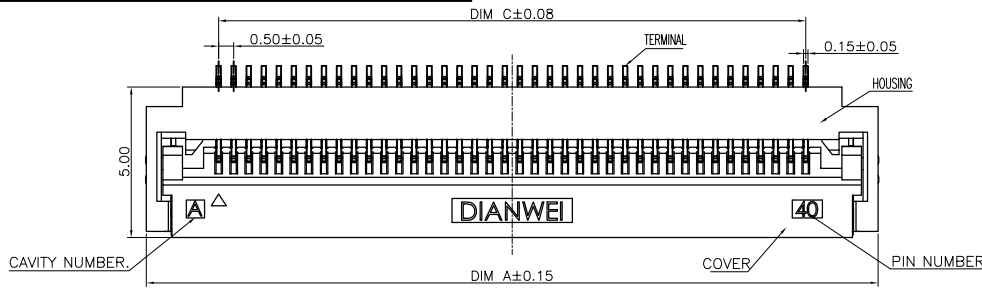


DRAWING TYPE CUSTOMER DRAWING

MARK	DATE	DESCRIPTION	DESIGN
A	2017.06.12	PROPOSAL	CHEN
B	2021.01.11	Update the drawing	CHEN
C	2023.04.18	Update the drawing	CHEN



1. PART NO. LEGEND:

8.15A0.***200

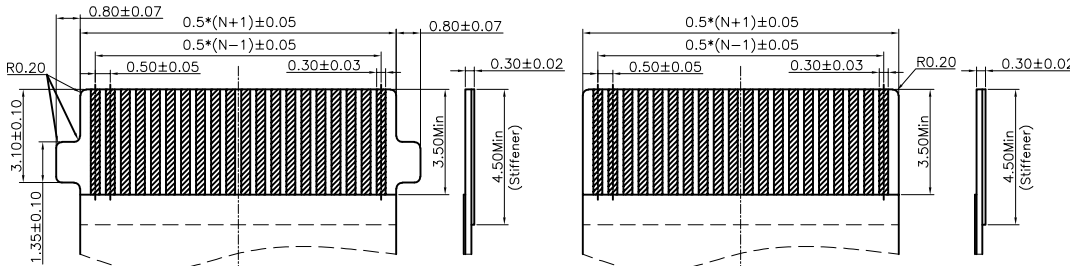
- ①.SERIES NAME:8.15A0-0.5MM FFC/FPC SWING COVER CONNECTOR (H=1.8mm)
- ②.CONTACT PIN NUMBER:***=CONTACT PIN NUMBER
- ③.CONTACT AREA PLATING SPEC: PART GOLD PLATING;2=1~3u";3=5u";4=10u";5=15u"
SOLDER AREA PLATING SPEC: PART GOLD PLATING;2=1~3u";3=5u";4=10u";5=15u"
- ④.UNSPECIFIED:0=NONSENSE
- ⑤.UNSPECIFIED:0=NONSENSE

2. PERFORMANCE:

- 2.1: CURRENT RATING: 0.5A/PIN.
- 2.2: VOLTAGE RATING: 50V (AC/DC).
- 2.3: CONTACT RESISTANCE: INITIAL VALUE 30mOHM Max,
- 2.4: INSULATION RESISTANCE: 500MOHM Min.
- 2.5: DIELECTRIC WITHSTANDING VOLTAGE: 250V AC FOR 1MINUTE;
- 2.6: DURABILITY: 20 TIMES Min.
- 2.7: OPERATING TEMPERATURE: -40°C~+85°C
OPERATING HUMIDITY RANGE: 20% TO 85%

Pin No.	P/N	DIM A	DIM B	DIM C	DIM D
4	8.15A0.004200	6.30	2.56	1.50	4.50
6	8.15A0.006200	7.30	3.56	2.50	5.50
8	8.15A0.008200	8.30	4.56	3.50	6.50
10	8.15A0.010200	9.30	5.56	4.50	7.50
12	8.15A0.012200	10.30	6.56	5.50	8.50
20	8.15A0.020200	14.30	10.56	9.50	12.50
24	8.15A0.024200	16.30	12.56	11.50	14.50
30	8.15A0.030200	19.30	15.56	14.50	17.50
34	2130	17.56	16.50	19.50	
40	8.15A0.040200	24.30	20.56	19.50	22.50
41		24.80	21.06	20.00	23.00
42	8.15A0.042200	25.30	21.56	20.50	23.50
45	8.15A0.045200	26.80	23.06	22.00	25.00
50	8.15A0.050200	29.30	25.56	24.50	27.50
51		29.80	26.06	25.00	28.00
54	8.15A0.054200	31.30	27.56	26.50	29.50
55	8.15A0.055200	31.80	28.06	27.00	30.00
56	8.15A0.056200	32.30	28.56	27.50	30.50
60	8.15A0.060200	34.30	30.56	29.50	32.50
61		34.80	31.06	30.00	33.00
64	8.15A0.064200	36.30	32.56	31.50	34.50
65		36.80	33.06	32.00	35.00
68	8.15A0.068200	38.30	34.56	33.50	36.50
70		39.30	35.56	34.50	37.50
71		39.80	36.06	35.00	38.00
75		41.80	38.06	37.00	40.00
80	8.15A0.080200	44.30	40.56	39.50	42.50
81		44.80	41.06	40.00	43.00
85		46.80	43.06	42.00	45.00
90		49.30	45.56	44.50	47.50
95		51.80	48.06	47.00	50.00
96	8.15A0.096200	52.30	48.56	47.50	50.50
100	8.15A0.100200	54.30	50.56	49.50	52.50
120	8.15A0.120200	64.30	60.56	59.50	62.50

NO.	COMPONENTS	MATERIALS	FINISH/COLOR	SPECIFICATION	QUANTITY
4	STATOR	PHOSPHOR BRONZE			2
3	TERMINAL	PHOSPHOR BRONZE			POSITIONS
2	COVER	THERMOPLASTIC UL94V-0	BLACK		1
1	HOUSING	THERMOPLASTIC UL94V-0	NATURAL		1



RECOMMENDED FFC/FPC

RECOMMENDED FFC/FPC

UNLESS OTHERWISE SPECIFIED TOLERANCE

ANG	TOL	DIM	TOL
.X	±3.0°	.X	±0.20
.XX	±2.0°	.XX	±0.10
.XXX	±1.0°	.XXX	±0.05

NOTE: ALL RIGHTS RESERVED,BANNED COPY!

DIANWEI

东莞市钿威电子科技有限公司

DONGGUAN DIANWEI ELECTRONIC TECHNOLOGY CO., LTD

Tel: +86-769-8788 8322 Fax: +86-769-8788 8321 E-mail: sales@dianwei.cn Http://www.dianwei.cn

APPROVED	VERIFIED	DRAWING NO	PART NAME:	0.5MM FFC/FPC SWING COVER CONNECTOR(H=1.8mm)			
		8.15A0-C	PART NO.	8.15A0.***200			
		DESIGN	DATE	UNITS	SCALE	PAGE	
		CHEN	2023.04.18	mm	1:1	1/1	
						REV	C

DRAWING TYPE

PACKAGE DRAWING

MARK

DATE

DESCRIPTION

DESIGN

A

2017.12.06

PROPOSAL

CHEN

B

2019.01.16

UPDATE DWG

CHEN

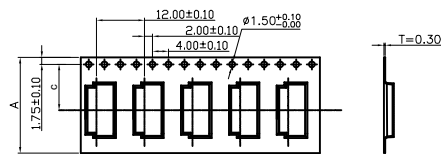
C

2022.02.14

24P载带宽由24mm改为32mm

CHEN

PULL OUT DIRECTION



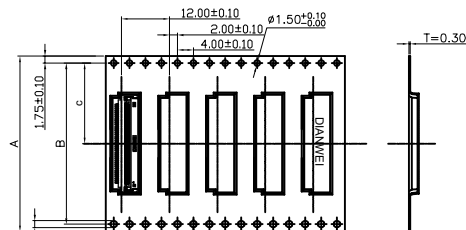
10~23PIN REEL

NOTES:

- MATERIAL:
 - CARRY TAPE:HIPS,T=0.30±0.05mm,CLEAR
 - REEL:HIPS,
 - SHIM:PE,CLEAR.
- PRIMARY PACKING:2000PCS/REEL.
- SECONDARY PACKING:SEE PACKING LIST
- PEELING RESISTANCE: 0.2~1.5N(20~150gf); PEELING ANGLE: 165°~180°; PEELING SPEED: 300mm/minutes.

5. QTY. LIST:

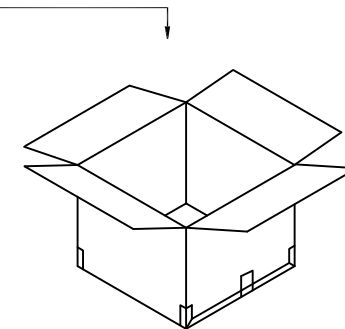
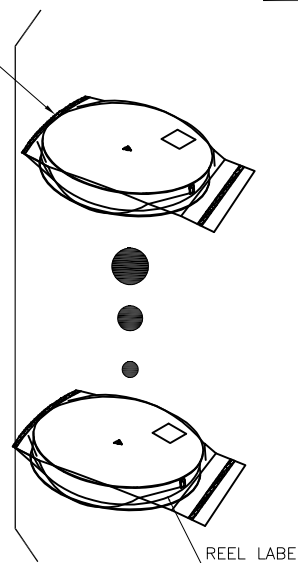
NO. OF POS.	A	B	C	PCS/REEL
4~ 8 PIN	16.0	/	7.5	2000
10~23 PIN	24.0	/	11.5	2000
24~34 PIN	32.0	28.4	14.2	2000
35~54 PIN	44.0	40.4	20.2	2000
55~76 PIN	56.0	52.4	26.2	2000
77~104 PIN	72.0	68.4	34.2	2000
105~128 PIN	88.0	84.4	42.2	2000



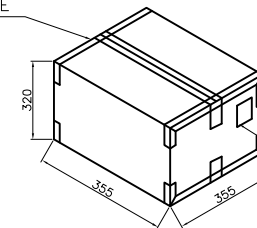
24~128PIN REEL

每盘使用PE带真空包装

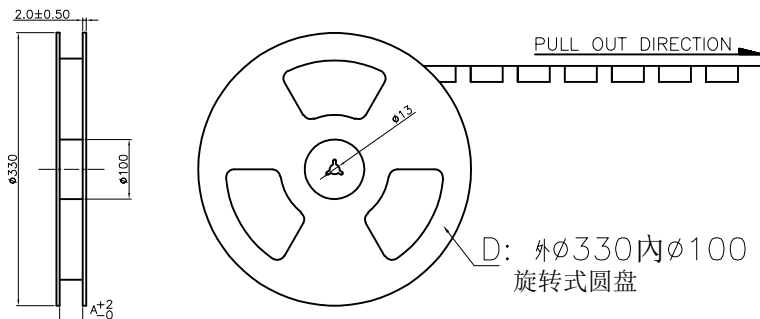
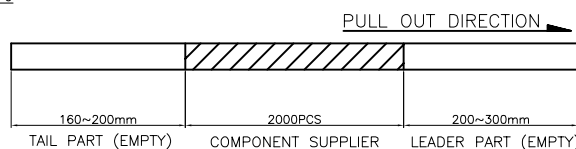
TOTAL N LAYERS



TRANSPARENT GULE TAPE



SIDE LABEL

D: 外φ330内φ100
旋转式圆盘

160~200mm 2000PCS 200~300mm

TAIL PART (EMPTY)

COMPONENT SUPPLIER

LEADER PART (EMPTY)

DIANWEI

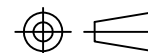
东莞市钿威电子科技有限公司

DONGGUAN DIANWEI ELECTRONIC TECHNOLOGY CO., LTD

Tel: +86-769-8788 8322 Fax: +86-769-8788 8321 E-mail: sales@ dianwei.cn Http://www.dianwei.cn

UNLESS OTHERWISE SPECIFIED TOLERANCE

ANG	TOL	DIM	TOL
.X	±3.0°	.X	±0.20
.XX	±2.0°	.XX	±0.10
.XXX	±1.0°	.XXX	±0.05



APPROVED

VERIFIED

DRAWING NO

8.15A0-P

PART NAME:

0.5MM FFC/FPC SWING COVER CONNECTOR (H=1.8mm)
PACKAGE SPEC

PART NO.

8.15A0.***200

DESIGN

CHEN

DATE

2022.02.14

UNITS

mm

SCALE

1:1

PAGE

1/1

REV

C

NOTE: ALL RIGHTS RESERVED,BANNED COPY!

QP-04-33-B